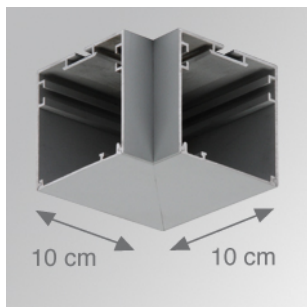


FIL 70

F7TESUHCW



FIL 70 TECH ACC. SUS 90° CORNER WH.

Description:

Accessory for structure model FIL 70 TECH ACC. SUS 90° CORNER WH., LAMP brand. 90° corner joint type. Made of matt white lacquered extruded aluminium.

Finish: Matte white RAL 9010

Weight: 240 g

