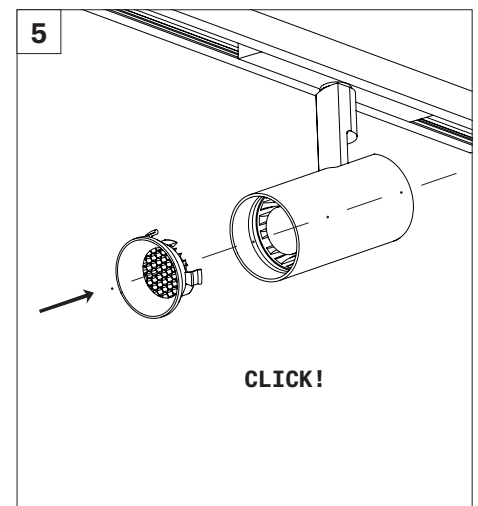
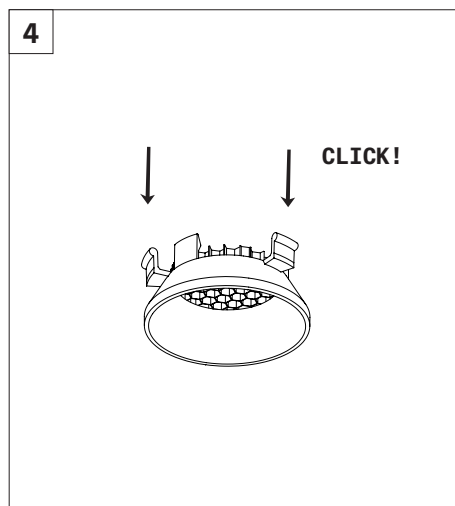
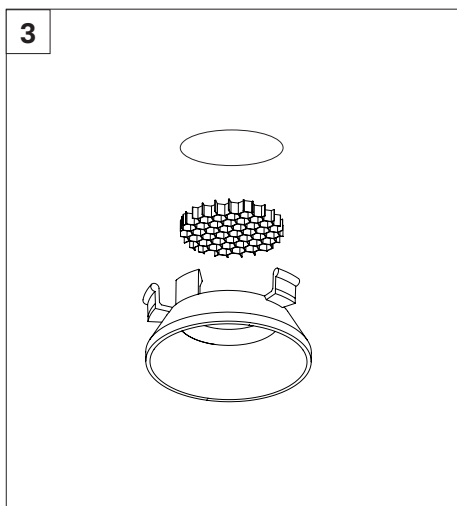
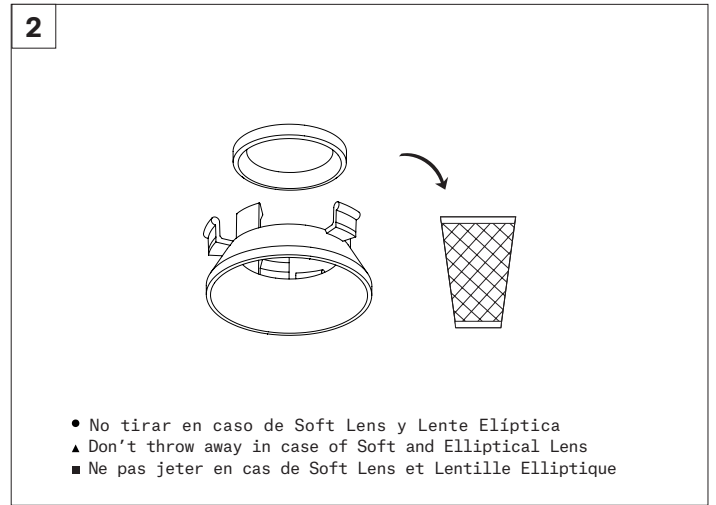
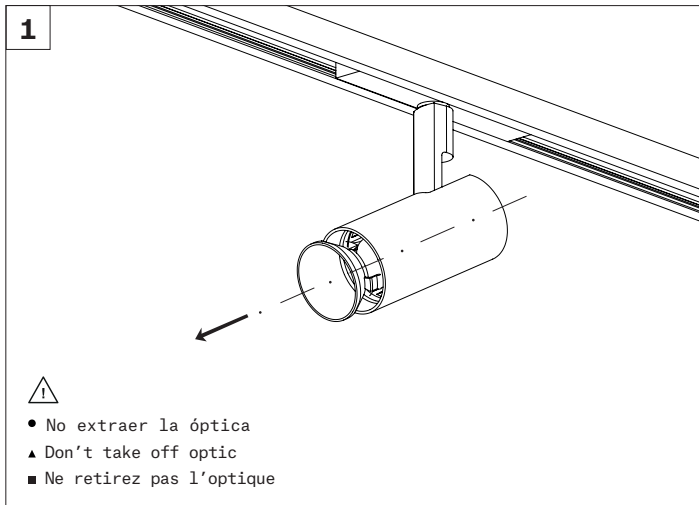


# HANCE

## ACCESSORIES 500LM



### GLASS/ ELIPTICAL LENS/ HONEYCOMB/ SOFT LENS



### CUTTING BEAM

