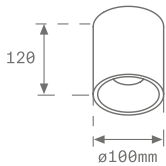


# Kombic 100 Surface

## KOMBIC 100 Surface



### DESCRIPTION:

Surface or suspended downlight model KOMBIC 100 SF 1500 or 2500 lm model by Lamp. Die-cast aluminium heat sink. Models with opal or optical diffuser for greater visual comfort (reaching UGR <17 in some models) COB LED of 2700 K, 3000 K or 4000 K, with CRI of 80 or 90. On/Off or Dali with the possibility of control via Bluetooth LE. With IP40 degree of protection. Isolation class I. Photobiological safety group 0.

### Available finishes:

- Opal model: Bright, metalized matt or white interior reflector and white or black exterior finishing.
- Optic model: Black interior reflector and black or white exterior finishing, or interior reflector in metalized matt or white and white exterior finishing.

**Dimensions:** diameter 99 mm.

**Weight:** 498 g

**INSTALLATION:** Surface or Suspended

### KOMBIC 100 SURFACE OPAL

| Family | Installation | Lm LED    | IP       | Optic   | CRI  | K         | Gear               | Reflector Finishes                      | Ext. Finishes |
|--------|--------------|-----------|----------|---------|------|-----------|--------------------|---|---------------|
| K11    | SF Surface   | 15 1500lm | 40 IP 40 | OP Opal | 9 90 | 27 2700 K | N ON/OFF<br>D DALI | R Bright<br>M Metalized Matt<br>W White | W White O2    |
|        |              | 20 2000lm |          |         |      | 30 3000 K |                    |   |               |
|        |              | 20 2000lm | 40 IP 40 | OP Opal | 8 80 | 30 3000 K |                    |   |               |
|        |              | 25 2500lm |          |         |      | 40 4000 K |                    |   |               |

Code configurator:

### KOMBIC 100 SURFACE OPTIC

| Family | Installation | Lm LED    | IP       | Optic      | CRI  | K         | Gear               | Reflector Finishes                     | Ext. Finishes            |
|--------|--------------|-----------|----------|------------|------|-----------|--------------------|--|--------------------------|
| K11    | SF Surface   | 15 1500lm | 40 IP 40 | WF WFL 50° | 9 90 | 27 2700 K | N ON/OFF<br>D DALI | B Black<br>M Metalized Matt<br>W White | B Black O2<br>W White O2 |
|        |              | 20 2000lm |          |            |      | 30 3000 K |                    |  |                          |
|        |              | 20 2000lm | 40 IP 40 | WF WFL 50° | 8 80 | 30 3000 K |                    |  |                          |
|        |              | 25 2500lm |          |            |      | 40 4000 K |                    |  |                          |

Code configurator:

## LIGHT OUTPUT AND POWER

### KOMBIC 100 SURFACE OPAL

|    | K    | CRI | 1500lm |           | 2000lm |           | 2500lm |           |
|----|------|-----|--------|-----------|--------|-----------|--------|-----------|
|    |      |     | W      | lm Output | W      | lm Output | W      | lm Output |
| BR | 2700 | 90  | 13     | 1191      | 19     | 1598      | 19     | -         |
|    |      | 80  | -      | -         | 13     | -         | 19     | -         |
|    | 3000 | 90  | 13     | 1230      | 19     | 1648      | 19     | -         |
|    |      | 80  | -      | -         | 13     | 1460      | 19     | 1959      |
|    | 4000 | 90  | 13     | 1336      | 19     | 1892      | 19     | -         |
|    |      | 80  | -      | -         | 13     | 1547      | 19     | 2075      |
| MA | 2700 | 90  | 13     | 1135      | 19     | 1523      | 19     | -         |
|    |      | 80  | -      | -         | 13     | -         | 19     | -         |
|    | 3000 | 90  | 13     | 1172      | 19     | 1571      | 19     | -         |
|    |      | 80  | -      | -         | 13     | 1392      | 19     | 1867      |
|    | 4000 | 90  | 13     | 1273      | 19     | 1708      | 19     | -         |
|    |      | 80  | -      | -         | 13     | 1474      | 19     | 1978      |
| WH | 2700 | 90  | 13     | 1186      | 19     | 1591      | 19     | -         |
|    |      | 80  | -      | -         | 13     | -         | 19     | -         |
|    | 3000 | 90  | 13     | 1125      | 19     | 1642      | 19     | -         |
|    |      | 80  | -      | -         | 13     | 1454      | 19     | 1951      |
|    | 4000 | 90  | 13     | 1330      | 19     | 1785      | 19     | -         |
|    |      | 80  | -      | -         | 13     | 1541      | 19     | 2067      |

### KOMBIC 100 SURFACE OPTIC

|    | K    | CRI | 1500lm |           | 2000lm |           | 2500lm |           |
|----|------|-----|--------|-----------|--------|-----------|--------|-----------|
|    |      |     | W      | lm Output | W      | lm Output | W      | lm Output |
| BK | 2700 | 90  | 13     | 983       | 19     | 1312      | -      | -         |
|    |      | 80  | -      | -         | -      | -         | -      | -         |
|    | 3000 | 90  | 13     | 1015      | 19     | 1354      | -      | -         |
|    |      | 80  | -      | -         | 14     | 1205      | 20     | 1609      |
|    | 4000 | 90  | 13     | 1102      | 14     | 1472      | -      | -         |
|    |      | 80  | -      | -         | 14     | 1277      | 20     | 1704      |
| MA | 2700 | 90  | 13     | 1030      | 19     | 1380      | -      | -         |
|    |      | 80  | -      | -         | -      | -         | -      | -         |
|    | 3000 | 90  | 13     | 1068      | 19     | 1424      | -      | -         |
|    |      | 80  | -      | -         | 14     | 1268      | 20     | 1692      |
|    | 4000 | 90  | 13     | 1160      | 14     | 1548      | -      | -         |
|    |      | 80  | -      | -         | 14     | 1343      | 20     | 1792      |
| WH | 2700 | 90  | 13     | 1040      | 19     | 1387      | -      | -         |
|    |      | 80  | -      | -         | -      | -         | -      | -         |
|    | 3000 | 90  | 13     | 1074      | 19     | 1432      | -      | -         |
|    |      | 80  | -      | -         | 14     | 1275      | 20     | 1701      |
|    | 4000 | 90  | 13     | 1166      | 14     | 1556      | -      | -         |
|    |      | 80  | -      | -         | 14     | 1351      | 20     | 1802      |

# Kombic 100 Surface

## FINISHES:

**B:** Black 02: ● RAL 9011 BLACK MATE

**W:** White 02: ○ RAL 9010 WHITE MATE

## TECHNICAL SPECIFICATIONS:

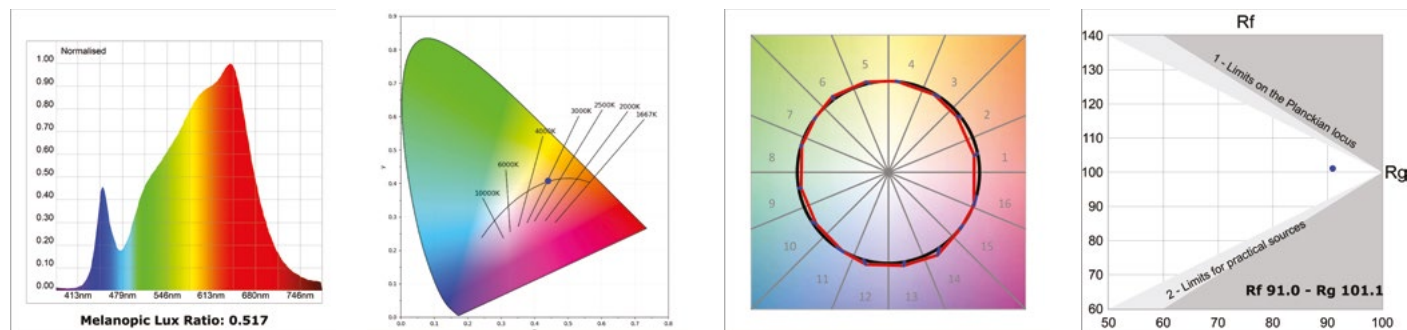


## QUALITY CERTIFICATES:

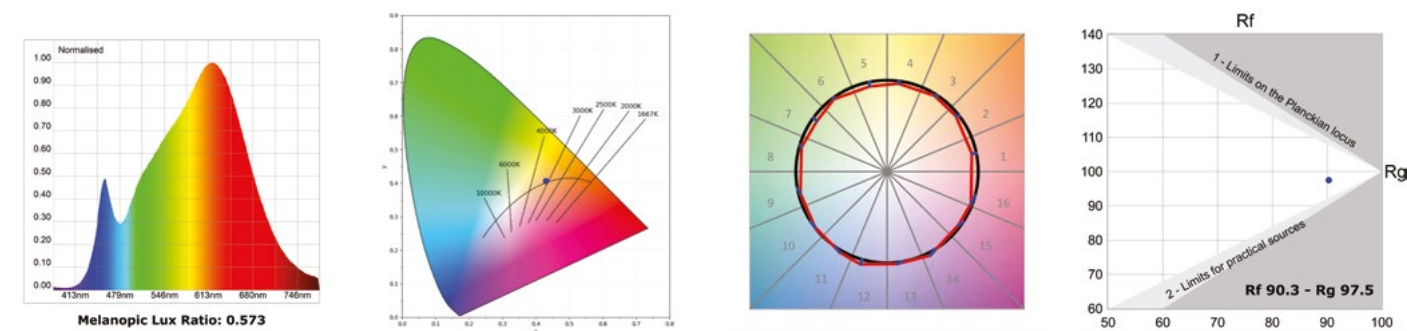


## PHOTOMETRIC DATA :

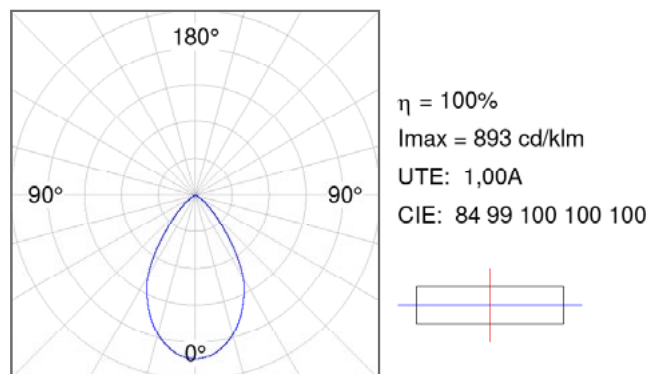
Opal



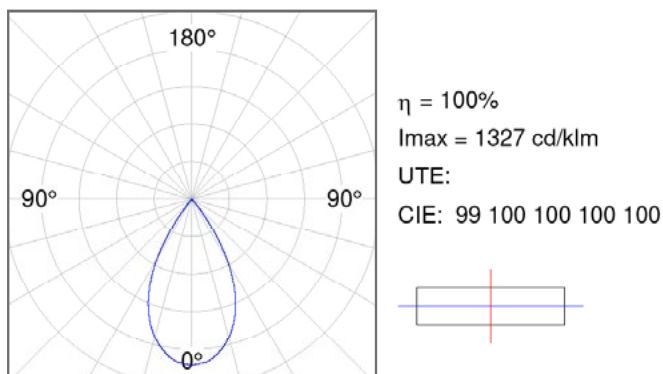
WFL 50°



Opal



WFL 50°



# Kombic 100 Surface CRI 90

## ACCESSORIES:



**Product Code:**

K1SUCARG0500DB  
K1SUCARG0500NB  
K1SUCARG1000DB  
K1SUCARG1000NB

**Description:**

KOMBIC 100 SF ACC ELEC 5P RIGI SUS 0.5 B  
KOMBIC 100 SF ACC ELEC 3P RIGI SUS 0.5 B  
KOMBIC 100 SF ACC ELEC 5P RIGI SUS 1M BK  
KOMBIC 100 SF ACC ELEC 3P RIGI SUS 1M BK



**Product Code:**

K1SUCARG0500DW  
K1SUCARG0500NW  
K1SUCARG1000DW  
K1SUCARG1000NW

**Description:**

KOMBIC 100 SF ACC ELEC 5P RIGI SUS 0.5 W  
KOMBIC 100 SF ACC ELEC 3P RIGI SUS 0.5 W  
KOMBIC 100 SF ACC ELEC 5P RIGI SUS 1M WH  
KOMBIC 100 SF ACC ELEC 3P RIGI SUS 1M WH



**Product Code:**

K1SUCAWI2000DB  
K1SUCAWI2000NB

**Description:**

KOMBIC 100 SF ACC. ELEC 5P SUSP 2M BK.  
KOMBIC 100 SF ACC. ELEC 3P SUSP 2M BK.



**Product Code:**

K1SUCAWI2000DW  
K1SUCAWI2000NW

**Description:**

KOMBIC 100 SF ACC. ELEC 5P SUSP 2M WH.  
KOMBIC 100 SF ACC. ELEC 3P SUSP 2M WH.