

SEGMENTS

POSSIBILITIES OF LIGHT
IN EVERY SPACE

LAMP
Worktitude for light



Discover our application segments and the lighting solutions we recommend for each of them: **what can lighting do in that space?**

EDUCATION
5



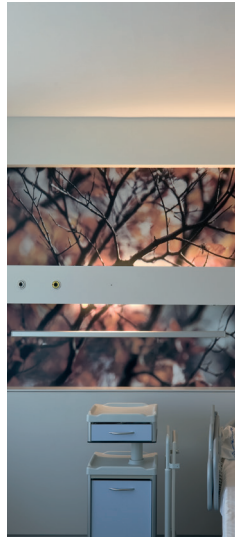
OFFICE
11



COMMON SPACES
17



HEALTHCARE &
WELLNESS
21



HIGH DENSITY
TRANSIT
27



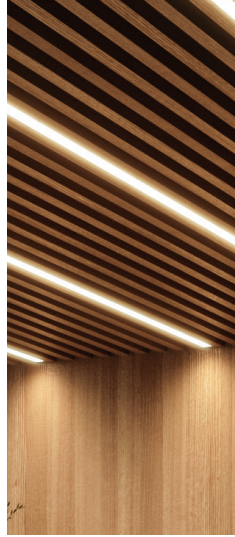
RETAIL
31



ARCHITECTURAL
OUTDOOR
35



SOLUCIONES
LUMÍNICAS
39





EDUCATION

PRE-SCHOOL SAGRADO
CORAZÓN, ENVIGADO
(COLOMBIA)



Fil Corner

Segments

Lighting that nurtures
and enhances the
educational

Educational spaces are evolving to embrace a new form of learning: **multidirectional, experiential, humanistic, collaborative and multidisciplinary.**

Spatial configuration and environmental conditions play a crucial role in the cognitive process; hence, we create adaptive, respectful and participative lighting solutions to enhance the educational experience.

Recommended lighting solutions



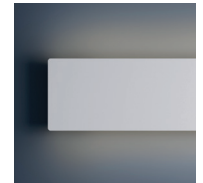
Fil 35, 45, 50



Kombic 100, 150



Plat



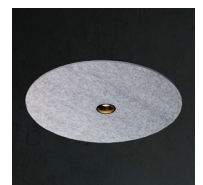
Ambient



Mun



Lamptub 60



Quiet



Lighting quality

IMPROVING THE COGNITIVE PROCESS

“Flicker-free” luminaires

Equipped with flicker control: compliance with IEEE standard 1789-2015 LED and in accordance with NEMA 77-2017 (Pst LM < 1.0 and SVM < 0.6).

Luminaires classified as exempt from photobiological risk (RG0)

According to the UNE 62471 standard, evaluating the risk of ocular or dermatological damage, are optimal solutions given children’s higher sensitivity to “blue” emissions as their visual system is still developing, like the Mun family.

Solutions with high colour rendering (up to CRI 98)

Enable children to live and experience the space through materials, shapes and colours, enhancing their **cognitive development** and relationship with **the environment**.

LYCÉE FRANÇAIS DE BARCELONA (SPAIN)



Fil

LAMP HEADQUARTERS, TERRASSA (SPAIN)



Quiet Baffle Fil 45

Comfort and visual ergonomics

A GENTLE LEARNING PROCESS

Lighting solutions with a greater shielding angle

Such as Plat Tech, and technical diffusers like Fil 45 Opal Comfort, ensure visual comfort and maintain low glare levels (UGR) for users with a lower observation point (and a broader field of direct exposure to the light source).

Ensuring environmental comfort and visual ergonomic

To create an environment that promotes the well-being of students and teachers, with comprehensive solutions like Quiet, avoiding distractions due to a lack of comfort.

Luminaires with suitable light distributions for every need

100% indirect emissions (for infant spaces), direct and indirect emissions to achieve a proper balance between the necessary lighting levels for task performance and vertical illuminance levels; or direct distributions for high-concentration areas.

Asymmetrical distributions for vertical surface lighting such as Fil 45 Tech ultra-comfort, Kombic 100 or Ambient.



Positive light stimulation

EXPERIENTIAL EDUCATIONAL SPACES

Dynamic lighting

Allows the creation of lighting schedules to offer an educational experience that adapts to changing requirements throughout the day, depending on the specific cognitive, emotional and physiological activities.

Reconnecting with nature

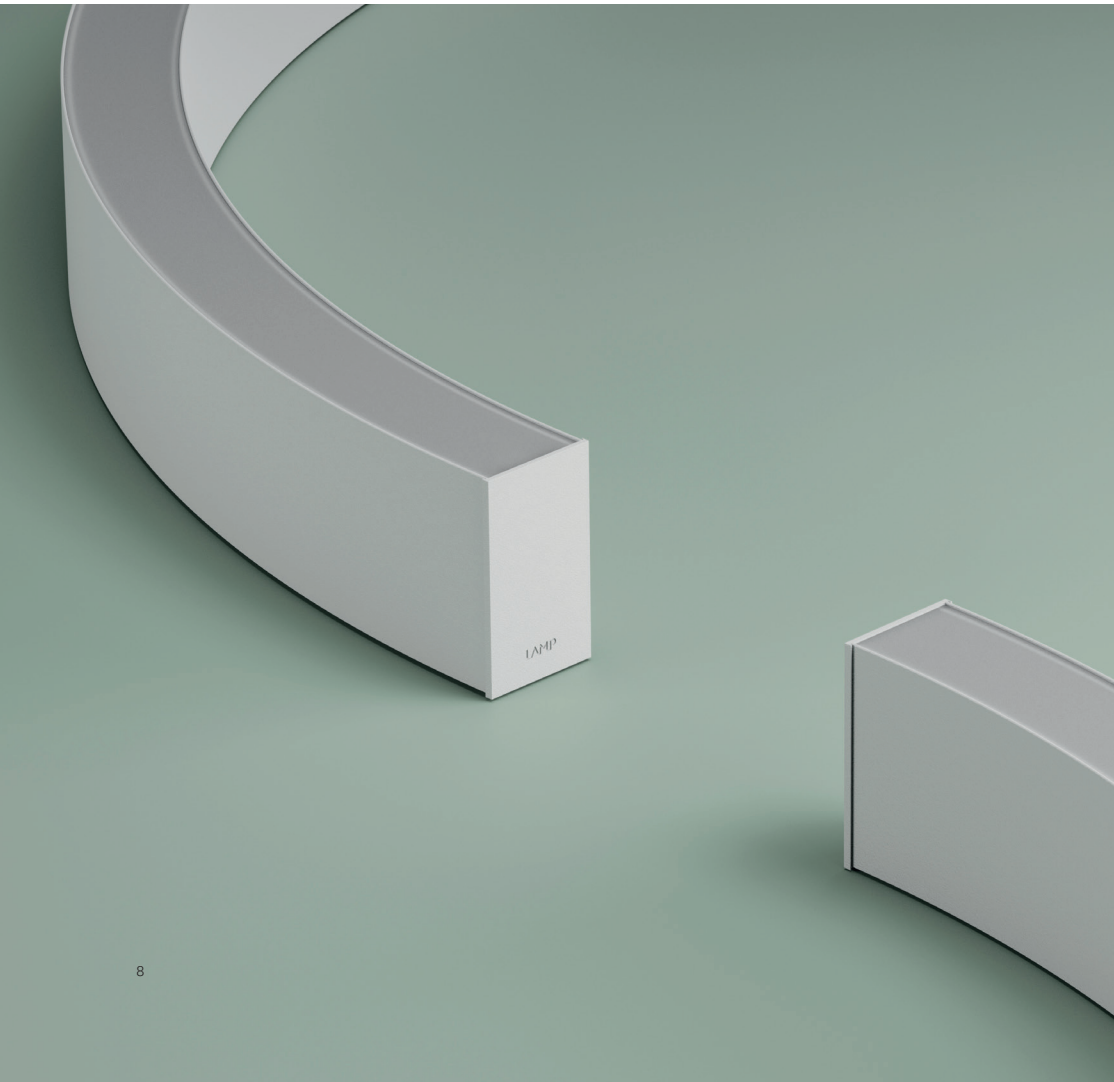
Thanks to luminaires synchronised with natural light, regulating lighting levels and colour temperature.

High circadian stimulation

Well-being technology, with high circadian stimulation, aids in circadian rhythm synchronisation and improves sleep-wake cycles, increasing energy levels, promoting an overall sense of well-being.



Fil Curve



CAMBRA DE COMERÇ DE TERRASSA, TERRASSA (SPAIN)



Quiet Baffle Fil 45



Quiet Round Kombic 100



OFFICE

Lighting that fosters collaboration and creativity

In an ever-changing world, adaptation becomes crucial. More than ever before, offices are evolving into spaces that encourage **socialisation through collaboration, idea exchange and creativity**. We develop lighting solutions for spaces where the environment, people and talent converge.

Recommended lighting solutions



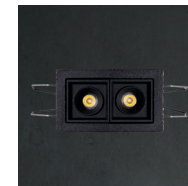
Fil 35, 45, 50 slim



Kombic 100, 150



Plat, Plat Tech



Ocult



Modular Custom



Lamptub 60



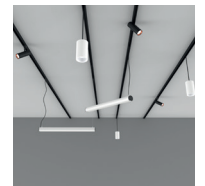
Ambient



Quiet



Stormbell 80



Nomadic System

AIR ZONE OFFICES, MÁLAGA (SPAIN)



Fil



Ring 90



Kombic



RCI SOFASA, MEDELLÍN (COLOMBIA)



Hance



Fil Corner

Flexible lighting

ADAPTING THE WORKSPACE

Flexible element

Lighting becomes a flexible element that adjusts to workers' preferences and the tasks being performed.

Versatile systems like the "Nomadic System"

Enable the configuration of luminaires to adapt to changes in the architectural space, accommodating various layouts and uses of the rooms.

Visual balance

Various luminaire types with advanced technical features compose lighting systems that blend ambient and task lighting, ensuring adequate luminance contrast and uniformity.

"Flicker-free" luminaires

Equipped with flicker control: compliance with IEEE standard 1789-2015 LED and in accordance with NEMA 77-2017 (Pst LM < 1.0 and SVM < 0.6).

Direct and indirect emissions

Along with wall and ceiling washers, create comfortable lighting environments, enhancing conditions related to the maintained average **cylindrical illuminance**, characteristic of integrated lighting planning.

Light quality

Light sources featuring a high colour rendering index (CRI > 95) and R9 > 50 guarantee excellent colour perception, including accurate user perception in hybrid formats like video calls.

Solutions integrating lighting and acoustic comfort

Such as "Quiet".

Solutions designed for optimal visual health

Luminaires providing high visual comfort, thanks to Tech Ultracomfort (UGR < 12) and Opal Comfort (UGR < 16) diffusers, lenses and a high level of shielding (UGR < 14). Luminaires classified as "Exempt from Photobiological Risk - Group 0" according to the recommended standard in UNE 62471, ensuring visual comfort even during extended exposure to artificial light.



OFFICES, BARCELONA (SPAIN)



Quiet Hexagonal Ocult

Technological balance

HUMANISING AND PERSONALISING SPACES

Technological segmentation

Based on project requirements, considering natural light contribution, the type of task, the user, schedules and work flows. This leads to the selection of the most suitable and efficient technology.

Dynamic lighting

provides high adaptability and customisation, allowing the selection of the most comfortable lighting level and colour temperature (2700–6500 K) in each case. Designing various **lighting schedules** to replicate the dynamism of natural light or establish specific scenes helps create a unique lighting atmosphere.

Wellbeing Technology

In both monochrome and dynamic versions, with a **high circadian stimulus**, optimises its light spectrum to emulate the continuity of sunlight. This achieves suitable melano-pic lux levels for proper activation during the early hours of the day, improving circadian rhythm synchronisation.

Minimising environmental impact

Solutions that continually evolve

Thanks to life cycle assessments (LCA) to minimise the environmental impact.

Luminaires made from recycled materials

To reduce environmental impact. Reducing emissions during the manufacturing phase (A1-A4) - Embedded carbon.

Promoting decarbonisation

Through solutions that provide **high energy efficiency** (< 120 lm/W), minimising emissions during the usage phase (B6) - Operational Carbon. Moreover, integration with light and presence sensors optimises the installation.

MOVING TOWARDS CIRCULARITY

Environmental Product Declarations (EPD)

Our primary product families in the Office segment possess Environmental Product Declarations (EPD), an exercise in transparency to measure the impact of our solutions throughout the building's life cycle.

Luminaires designed under eco-design criteria

Allowing for repair, updates and recyclability at the end of the life cycle.



Ambient



LAMP HEADQUARTERS, TERRASSA (SPAIN)



Stormbell 80





COMMON SPACES

Segments

Light that creates a welcoming atmosphere: overlooking technical aspects and proper lighting control

The trend of spatial hybridisation gives rise to new spatial typologies resulting from the fusion of needs that align with **innovative ways of being and doing**. “Common spaces” contrast with “non-places” by asserting their own identity within other primary uses, fostering spaces that create a welcoming and customisable atmosphere. Places to connect with others and oneself, hosting various activities. We offer **solutions that prioritise lighting sensations without compromising technical characteristics**.

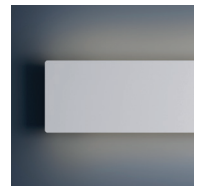
Recommended lighting solutions



Fil 35, 45



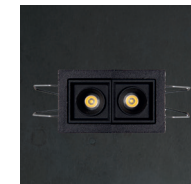
Kombic 70, 100



Ambient



Mun



Ocult



Hance



Moody



Stormbell 80

CENTRAL POINT BUSINESS CENTER, BOGOTÁ (COLOMBIA)



Fil System

Technical lighting integrated into a user-friendly language

SPACES FOR CONNECTION

Miniaturisation

Of highly technical lighting solutions like Fil 35 or Kombic 70.

Solutions that emphasise lighting quality and the comfort sensation

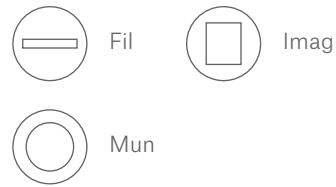
Due to the absence of flickering in our Flicker-free luminaires and effective glare control.

Lighting focused on inclusively enhancing the user experience

Supporting neuro-design strategies, thanks to luminaires that maximise visual comfort and deliver excellent colour rendering (CRI > 98), aimed at **maximising user well-being** and ensuring environmental comfort through acoustics and lighting.

Energy efficiency in every space

Thanks to the high energy efficiency of our solutions (up to 120 lm/W), reducing the operational carbon footprint of buildings through a life cycle analysis.



VALLBLANC OFFICES, ANDORRA (ANDORRA)



Mindful lighting

NEW MATERIALITY

Recycled materials

The incorporation of **new materials, whether recycled and/or natural**, such as recycled cork (rCork) and recycled PET (rPET), enables us not just to improve the environmental impact of our luminaires but also to delve into fresh aesthetic expressions now featured in our catalogue of technical solutions.

Seamless spatial integration

The **Raw finish** option ensures seamless spatial integration, offering a neutral finish with a treatment that allows the luminaire to be completed on-site, achieving its final appearance "in-situ". This is the case of the Ambient luminaire.

Colour palettes

That capture an expression and mirror social trends shaping the evolution of spaces. Explore the new expressions of RETROPIA and FOUNDATION, now part of our palettes along with MATERIALITY, BE SOCIAL and WELLBEING.



SAISHO ORIGINAL TEPPANYAKI RESTAURANT, MAZATLÁN SINALOA (MÉXICO)

Adaptative and responsive lighting

MULTIPLE USES

Dynamic technology lighting

Lighting ambience tailored to the use and needs of spaces, dynamic technology lighting for creating various scenes and designing lighting schedules that provide the necessary lighting sensation for the multitude of uses that a dynamic space can accommodate.

Spatial adaptability

Thanks to the infinite distributions that our **Nomadic System** can offer: flexible, adaptable and scalable, breaking away from the rigidity of traditional lighting installations.





HEALTHCARE & WELLNESS

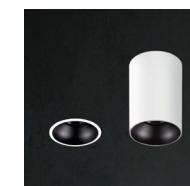
Lighting designed for comfort and well-being: elevating the user experience

Spaces that are not only more efficient but also **more humane**: technical and functional requirements coexist to ensure optimal conditions for healthcare personnel. Simultaneously, there's a focus on creating an environment conducive to rest and **optimal comfort, recognising their significant impact on individuals' health and work**. We offer efficient, functional and user-centric lighting solutions that positively impact perception and mood: solutions contributing to comprehensive and preventive well-being, not just in healthcare settings but in any space dedicated to wellness.

Recommended lighting solutions



Fil 45, 50



Kombic IP



Ambient



Plat IP



Hermetica



Clinic



Modular Custom

HOSPITAL REY JUAN CARLOS,
MADRID (SPAIN)



Clinic Gas (CUSTOM MADE)



LUIS CARLOS SARMIENTO ANGULO CANCER TREATMENT AND RESEARCH CENTER (CTIC)

Technical commitment

MEETING STRINGENT SPACE REQUIREMENTS

Our solutions boast a high degree of tightness (IP65)

To prevent the ingress of particles and contaminants into the luminaire, thereby maintaining a **clean and pollution-free environment**. Non-porous finishes facilitate easy cleaning.



Hance



Kombic

Eco-design

Designed with eco-friendly criteria, they allow for **updates and simplify maintenance tasks**, minimising downtime.

Compact luminaires

Featuring various optical design options, offer different lighting distributions tailored to the diverse lighting needs of each space, guaranteeing **high energy efficiency**

Lighting quality

OPTIMAL CONDITIONS FOR HEALTHCARE PROFESSIONALS AND PATIENTS

High colour rendering

Solutions with high colour rendering (up to CRI 98) facilitate tasks under light sources that accurately represent tones.

“Flicker-free” luminaires

Equipped with flicker control: compliance with IEEE standard 1789-2015 LED and in accordance with NEMA 77-2017 (Pst LM < 1.0 and SVM < 0.6).

Luminaires categorised as exempt from photobiological risk (RG0)

According to the UNE 62471 standard, assessing the risk of ocular or dermatological damage caused by specific short-wavelength light radiations (blue emissions). Over time, these emissions could potentially be associated with diseases like age-related macular degeneration (AMD), which is common in individuals over 60 years old.

Visual ergonomics

THROUGH AN INTEGRATIVE AND INCLUSIVE LENS



Mun

Solutions designed for optimal visual health

Luminaires providing high visual comfort, thanks to Tech Ultracomfort (UGR <12) and Opal Comfort (UGR <16) diffusers, lenses and a high level of shielding (UGR <14).

Sensor technology for well-being and safety

We implement sensors to detect presence, ensuring that the routes are always well lit according to the needs and schedules.



INSTITUT D'ONCOLOGIA AVANÇADA (IOA), ATRYSHEALTH & SANITAS, BARCELONA (SPAIN)

Dynamic circadian light

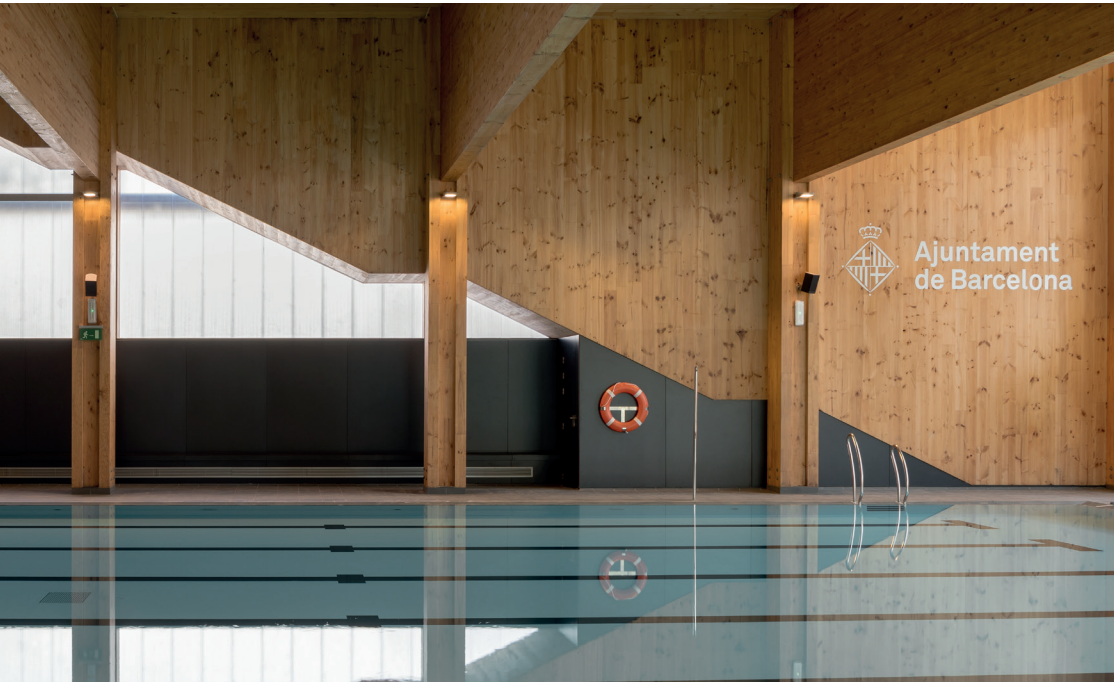
HEALTH AND WELL-BEING

Lighting schedules

Dynamic lighting provides high adaptability and customisation, allowing the selection of the most comfortable lighting level and colour temperature (2700–6500 K) in each case. Designing various lighting schedules to replicate the dynamism of natural light or establish specific scenes helps create a unique lighting atmosphere.

Wellbeing Technology

In both monochrome and dynamic versions, with a **high circadian stimulus**, optimises its light spectrum to emulate the continuity of sunlight. This achieves suitable melanopic lux levels for proper activation during the early hours of the day, improving circadian rhythm synchronisation.



SPORTS CENTER TURÓ DE LA PEIRA, BARCELONA (SPAIN)



Flut



Ambient





HIGH DENSITY TRANSIT

Efficient and durable lighting to meet the highest requirements for both users and architectural spaces

This category encompasses a variety of spaces whose main feature is the **need to accommodate high traffic and host complex and diverse programmes**, spaces such as:

- Transport facilities such as airports, terminals, train or underground stations
- Convention centres
- Cultural facilities

Our range of specific solutions for these spaces provide a **balance between durability, efficiency and technical quality.**

Recommended lighting solutions



Fil 120



Kombic



Stormbell 170 HO



Domo 220



Transport Solutions

CRUISE TERMINAL,
BARCELONA (SPAIN)



Puzzle

Durable lighting and efficiency

INCREASING THE VALUE OF SPACES AND INFRASTRUCTURES

Luminaires with high technical specifications

High strength ratings and a long service life, thanks to a robust design, the use of durable materials and thermal designs that extend the useful life of our luminaires.

High luminous fluxes

That can be used for the general lighting of very high spaces, with luminaires such as Stormbell HO, Kombic 200, Domo or Fil 120.

Circular solutions

That incorporate eco-design criteria, supported by our **technology upgrade service**, extending the service life of luminaires, providing the best light quality and energy efficiency (reducing operational carbon), facilitating the recovery and reuse of the installed equipment (reducing embodied carbon).

Outstanding energy efficiency

To optimise the resources used in infrastructures.

Multiple installation options

COLON THEATRE - NACIONAL ART CENTER, BOGOTÁ (COLOMBIA)



Light quality

PROVIDING THE BEST EXPERIENCE FOR THE COMMUNITY

Wide range of lighting patterns

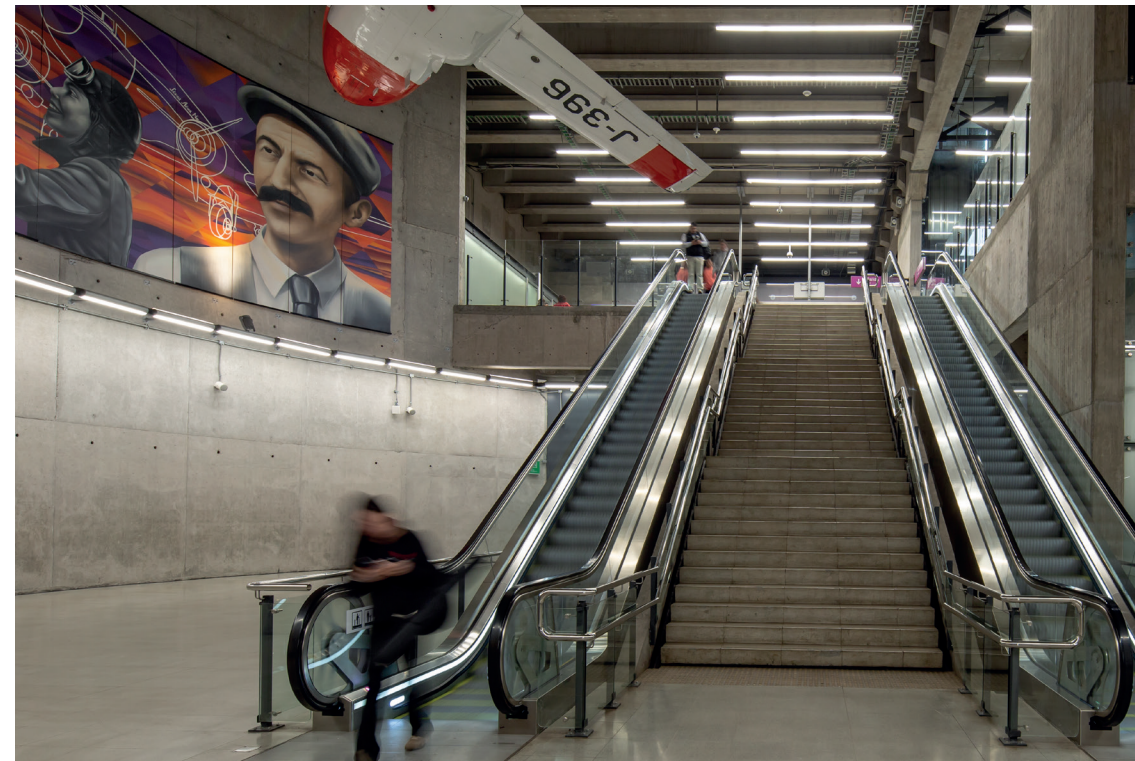
And light beams to suit every need.

Light quality

Light sources with a **high colour rendering index** (CRI>90) ensure excellent colour perception.

“Flicker-free” luminaires

Equipped with flicker control: compliance with IEEE standard 1789-2015 LED and in accordance with NEMA 77-2017 (Pst LM < 1.0 and SVM < 0.6).



Special developments

AD-HOC SOLUTIONS

L5 & L6 METRO, SANTIAGO DE CHILE (CHILE)



Co-Creation Service

Development of specific solutions to meet the technical requirements of each project through **our Co-Creation service**, for example the development of our TRANSPORT SOLUTIONS.

Lighting solutions that include special features

Such as speakers or low-voltage electrical wiring, isolated from each other by separate conduits inside the luminaire, e.g. STGO, BCN, TLSE.

Integrated sensors

Motion and brightness sensors to reduce energy consumption by adjusting lighting levels according to traffic and lighting needs, e.g. Fil 45. Other types of sensors can be included, depending on the parameters being monitored.

Emergency back-up battery

Lighting with a built-in emergency back-up battery for safe evacuation.

Control systems

Integrated with control, automation and time synchronisation systems.



RETAIL

Light to revitalise the shopping experience and create a connection with the user

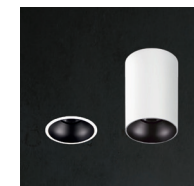
- The shopping experience has been reshaped:
- The rise and spread of online shopping habits, as well as hybrid models (buy on-line / pick up in store)
 - Environmental awareness and a form of conscious consumption are increasingly prevalent and widespread

Retail spaces are being redefined to cater for **new shopping models**. We create lighting solutions that enhance every shopping experience, **highlighting the essence of the products and streamlining the flow of traffic within the spaces.**

Recommended lighting solutions



Hance



Kombic



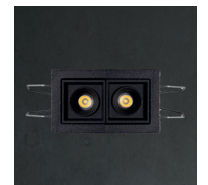
Imag



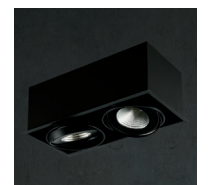
Moody



Domo 220



Ocult



Puzzle

SHOES STORE CASAS, TERRASSA (SPAIN)



Hance

Lighting experiences

ENHANCING THE PHYSICAL EXPERIENCE

Numerous types of luminaires

Within lighting and interior design projects, the hybridisation of spaces makes it possible to use numerous types of luminaires to enhance these spaces, through **general lighting** systems that help to guide traffic, combined with **accent lighting** to create focal points in certain spatial landmarks, thanks to the combination of linear systems such as FIL 35 or 45, Ocult System, Kombic and our accent luminaires such as Ocult, Hance, Hance Down-light. **Providing lighting solutions that are integrated into the design concept.**

LED technology

With **optimised light spectra** to highlight specific products

Light quality

light sources with a **high colour rendering index** (CRI>90) and R9>50 ensure excellent colour perception and deliver **energy efficiency** greater than 125 lm/W, e.g. Hance or Imag G3.

Dynamic technology

To provide a high degree of adaptability and customisation, making it possible to design different lighting scenes and patterns, combining different lighting levels and colour temperatures (2700-6500 K) to **increase the**

Creating unique experiences

Such as those provided in concept or flagship stores requires the development of custom solutions, tailored to each space and each experience, which we deliver through our **Co-Creation service.**



Ocult System

CARNÉ BAKERY, TERRASSA (SPAIN)



FORMA 5 SHOWROOM DUBAI, DUBAI (UNITED ARAB EMIRATES)



Hance

Eco-conscious lighting

REDUCING THE ENVIRONMENTAL IMPACT

Circular solutions

That support the transformation of the value proposition of retail premises, incorporating eco-design criteria that enable the **recovery and redeployment** of luminaires.

Conscious materiality

Using recycled and recyclable materials in our retail luminaires, reducing the environmental impact caused during the manufacturing phase (embodied carbon).

Technology upgrade service

Extending the service life of luminaires, providing the best light quality and energy efficiency (reducing operational carbon), facilitating the recovery and reuse of the installed equipment (reducing embodied carbon).

Optimal energy efficiency

Greater than 125 lm/W, without sacrificing light quality, e.g. with our Hance or Imag G3 models.

Nomadic lighting

FLEXIBLE AND ADAPTABLE EXPERIENCES

Modules and systems

Flexible lighting systems such as our **“Nomadic System”** and **Plug&Play lighting modules**, which enable the **installation of temporary portable pop-up stores**. They provide a solution that makes installation and dismantling easy, while maintaining **excellent lighting quality.**



ARCHITECTURAL OUTDOOR

OXXEO
BUILDING,
MADRID,
SPAIN



Shot

Segments

Light adapted to human scale to create places with an identity of their own

Urban development and outdoor spaces are shaped by guidelines such as those outlined in the EU's Urban Agenda, which is aligned with Sustainable Development Goal 11 (SDG 11: make cities and communities sustainable): pedestrianisation and accessibility, reducing road traffic, introducing new transport systems - urban, respecting biodiversity, reducing heat islands and promoting mixed uses, redevelopment and change of use At Lamp we strive to meet these challenges by **designing our lighting solutions around the concepts.**

Recommended lighting solutions



Shot



Flut



Duit



Bazz



Seti



B-Side



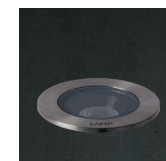
Lup



Urban



Trace IP65



Xtrema



Puck

Close-rating lighting

RECOVERING THE HUMAN SCALE

Close-range lighting

Bringing the light source closer to the action or the object being illuminated, creating far more pleasant lighting conditions, avoiding residual light, while reducing the system's energy consumption, e.g. Duit.

Extensive light beam patterns

That allow the light source to be lowered, maximising spacing, such as street or extra wide beam patterns (e.g. Shot), or bollards (e.g. B-Side 360°).

Solutions that combine durability and compactness

To blend into urban and architectural environments with a minimal visual impact..



Seti

DON PEDRO HOTEL, MÁLAGA (SPAIN)



Lighting to enhance the environment

REGENERATING THE URBAN LANDSCAPE

Lighting systems with minimally intrusive installation systems

For ease of integration in both new-build settings and refurbishment works, e.g. the Duit range's Integration system.

Luminaires with a wide variety of light beam patterns

To enhance the architectural beauty of each environment, highlighting the architecture and its materiality through elliptical or asymmetrical light beams, e.g. with Flut, Bazz, Bauline or Seti.

Living Centric Light

HUMAN FRIENDLY, ENVIRONMENTALLY FRIENDLY

LED technology

With an amber hue with a **light spectrum that is extremely environmentally and eco-friendly**, reducing emissions with a wavelength of less than 550 nm, preventing the dispersion of light through reflection and minimising the effects of light pollution, e.g. Duit.

Light quality

Offering warm colour temperatures (2700-3000 K) and high colour rendering indices (CRI>80) to provide people-friendly lighting environments.

Light beam patterns

That prevent residual light and emissions to the upper hemisphere.

Resilient lighting

EXTENDING THE LIFE CYCLE OF SOLUTIONS

Durable luminaires that meet eco-design standards

Providing scalable solutions that can be upgraded mechanically and technologically. They are manufactured to facilitate the sorting of materials, which can be recovered for recycling.

Technology upgrade service



B-side

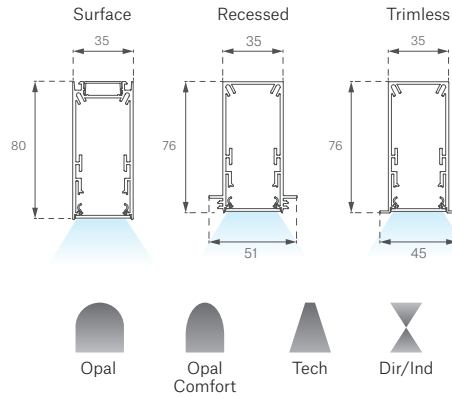


Fil 35 Education - Office - Common Spaces



Models Opal, Opal Comfort, Tech, Dir/Ind
LM LED (lm) 1200-1600-2000-2400-2800-3200
Lenght (mm) 840-1120-1400-1680-1960-2240
Color Temp. 3000K-4000K
Power (W) 8-11-14-16-19-22

● Black 01 ○ White 02 ● Grey 01
 Palettes: ● Retropia

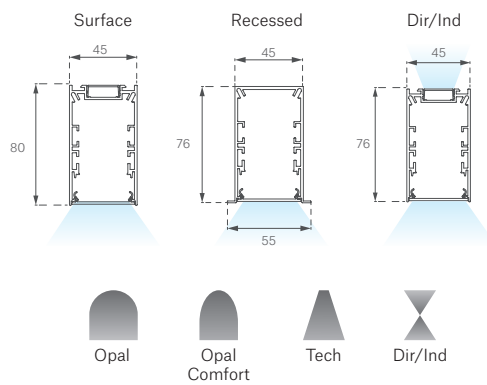


Fil 45 Education - Office - Common Spaces - Healthcare & Wellness



Models Opal, Opal Comfort, Tech, Dir/Ind
LM LED (lm) 1200-1600-2000-2400-2800-3200-4560
 6200-7750-9300-10850-12400
Lenght (mm) 840-1120-1400-1680-1960-2240
Color Temp. 3000K-4000K-TW-WB-TW WB
Power (W) 8-11-14-16-19-22-27-36-45-54-63-72

● Black 01 ○ White 02 ● Grey 01
 Palettes: ● Retropia

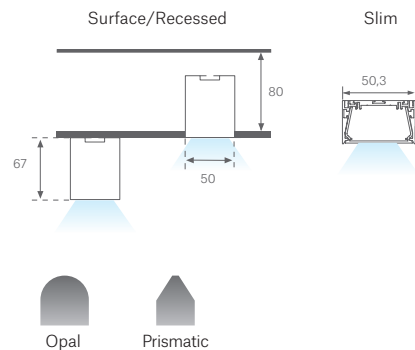


Fil 50 Education - Office- Healthcare & Wellness



Models Opal, Prismatic, Slim
LM LED (lm) 3300-5000-6500-9800
Lenght (mm) 1123-1683
Color Temp. 3000K-4000K
Power (W) 21-31-40-59

○ White 02 ● Grey 01
 Palettes: ● Retropia

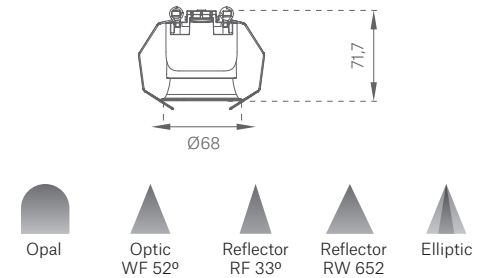


Kombic 70 Common Spaces - Retail



Models Basic, Comfort, Efficiency
LM LED (lm) 1500
Color Temp. 2700K-3000K-4000K
Power (W) 9,5

● Black 01 ○ White 02

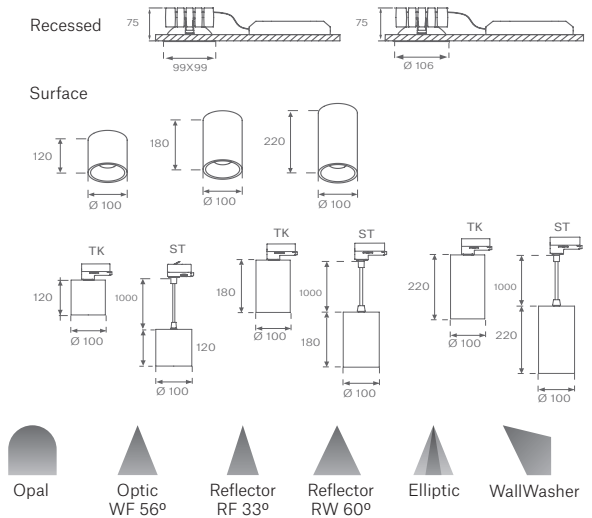


Kombic 100 Education - Office - Common Spaces - Healthcare & Wellness - Transit - Retail



Models Basic, Comfort, Efficiency
LM LED (lm) 1500-2000-2500
Color Temp. 2700K-3000K-4000K-TW-WB
Power (W) 12-18

● Black 01 ○ White 02
 Accessory finishes: ● Black 01 ○ White 02 ● Metalized Matt ● Bright

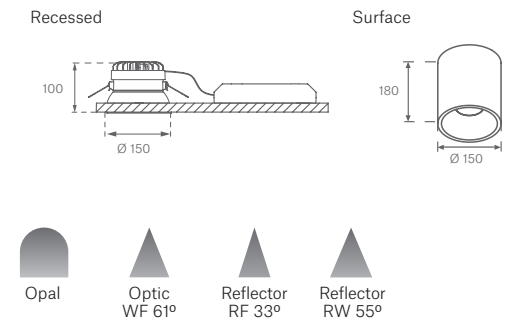


Kombic 150 Education - Office - Healthcare & Wellness - Transit - Retail

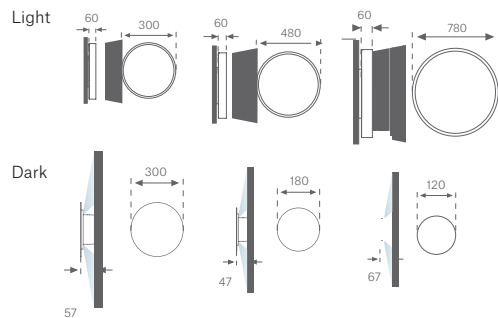


Models Basic, Comfort, Efficiency
LM LED (lm) 2000-2500-3000-3500
Color Temp. 2700K-3000K-4000K-WB
Power (W) 12-18, 12-25

● Black 01 ○ White 02
 Accessory finishes: ● Black 01 ○ White 02 ● Metalized Matt ● Bright



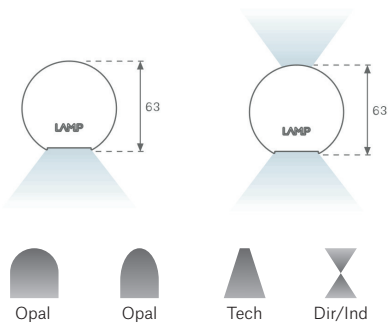
Mun Education - Common Spaces



Models Light, Dark
LM LED (lm) 1000-1700, 100-300
Color Temp. 3000K-4000K
Power (W) 8-60, 1-3

● Black 03 ○ White 03
 General 360°

Lamptub 60 Education - Office



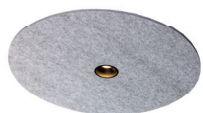
Models Suspended Recessed-Surface, Suspended Track, Track
LM LED (lm) 500, 700-1000, 1000-2000, 3000-400
Color Temp. 2700K-3000K-4000K
Power (W) 5, 8-18

● Black 03 ○ White 03 ● Silver Metalized ● Copper Metalized
 Palettes: Wellbeing ● 4050-R90B ● 1505-Y10R ● 7024 ● 4030 ● 7001
 Be social ● 4050-R90B ● 1050-B10G ● 7502-R ● 2070-Y80R ● 2011

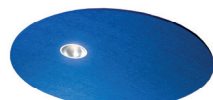
Quiet Education - Office



Quiet Baffle Fil 45



Quiet Round Kombic 100



Quiet Round Kombic 150



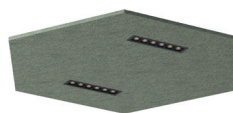
Standard finishes
 ● K05 - Charcoal
 ● Z04 - Light Camel
 ● Z97 - Cactus Green



Quiet Square Ocult

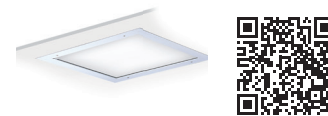


Quiet Rectangle Ocult



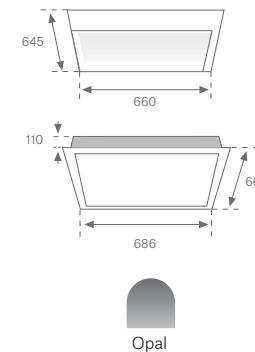
Quiet Hexagonal Ocult

Hermetica Healthcare & Wellness



Models Opal
LM LED (lm) 4500
Dimensions 600x600-1286x367
Color Temp. 4000K
Power (W) 31

○ White 04

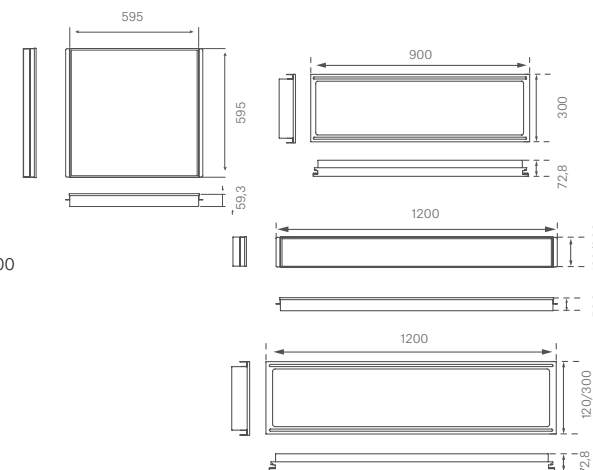
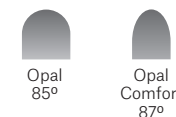


Modular Custom Office - Healthcare & Wellness



Models Efficiency, Air
LM LED (lm) 4200-3400
Dimensions 600x600-1200x120-900x300
 1200x400-1200x600
Color Temp. 3000K-4000K-TW

○ White 04



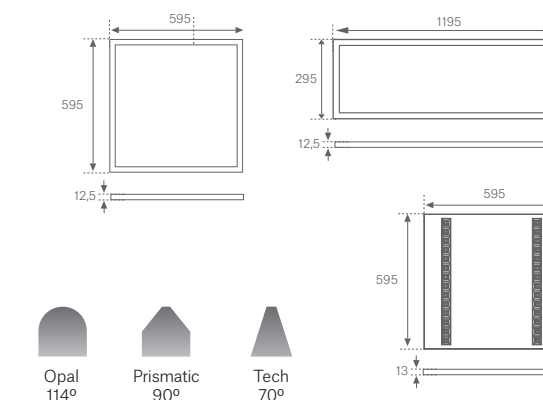
Plat Education - Office - Healthcare & Wellness




Models Opal, Prismatic, Tech
LM LED (lm) 3500-4100
Dimensions 600x600-1200x300
Color Temp. 3000K-3500K(active warm)
 4000K-TW

Power (W) 31

○ White 06



Ambient Education - Office - Common Spaces - Healthcare & Wellness



Individual
47,5
311/591/1151
80

Continua
578,5/1126
80

Models Individual, Continua
LM LED (lm) 2500lm/m
Lenght (mm) 300-600-1200
Color Temp. 3000K-4000K-TW
Power (W) Dir: 6-10-19
Dir/Ind: 10-19-35
Double Switch: 35

● Black 02 ○ White 02
Palettes: ● Retropia ● Foundation

Opal Asimétrico Grazer

Nomadic System Office

We adapt our luminaires to integrate them into this rail system, making the lighting versatile. This ensures that, with any modification in the space, the lighting can be easily adapted to always keep the concept and the lighting project adjusted to the changing needs. If the environment can change, so should the lighting. The Nomadic System allows for relocation, expansion and upgrading of the installation.





Track

Lamptub 60 Stormbell 80

Kombic 100 Hance

Stormbell 80 Office - Common Spaces



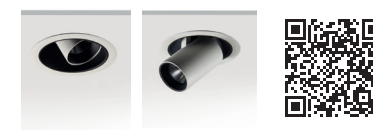
Models Recessed, Surface, Track
LM LED (lm) 1500
Color Temp. 2700-3000-4000-TW-WB
Power (W) 14

● Black 04 ○ White 04 ● Cork ● rPet
Palettes: Materiality ○ 1050-Y10R ● 7024 ● 3010-G ● 2010-Y20R ● 3013

SP 15° MFL 23° WFL 57°

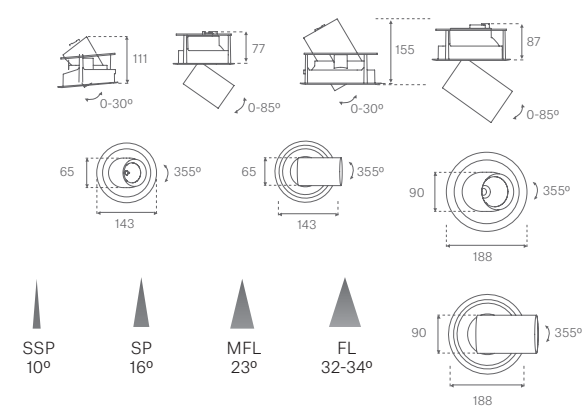
Hance Common Spaces - Retail

Downlight



Models Recessed, Semi-recessed
LM LED (lm) 1000-2000, 3000-4000
Color Temp. 2700K-3000K-4000K
Power (W) 7-18, 25-35

● Black 03 ○ White 03
● Silver Metalized ● Copper Metalized



SSP 10° SP 16° MFL 23° FL 32-34°

Spotlight

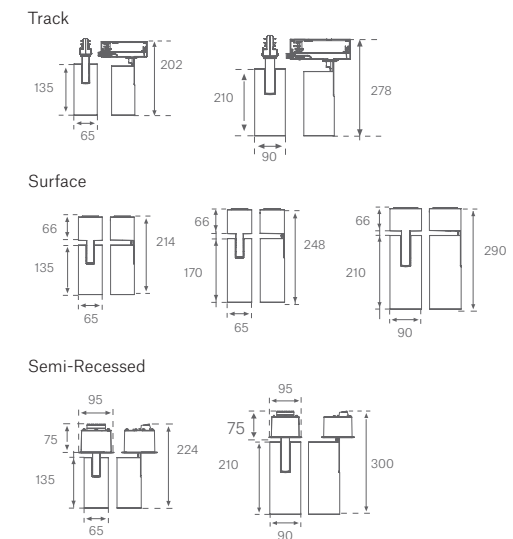


Models 1000, 2000, 3000, 4000
LM LED (lm) 500, 700-1000, 1000-2000, 3000-4000
Color Temp. 2700K-3000K-4000K
Power (W) 5, 8-18, 25-35

● Black 03 ○ White 03
● Silver Metalized ● Copper Metalized



SSP 10° SP 13-17° MFL 19-23° FL 26-37°



Track

Surface

Semi-Recessed

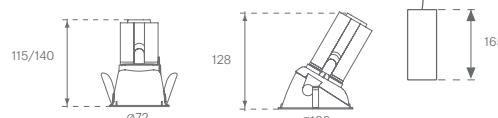
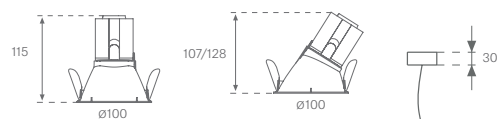
Clinic Healthcare & Wellness



Models Clinic, Clinic TW, Clinic Gas
LM LED (lm) 1500-3000
Color Temp. 2700-3000-4000-TW-WB

○ White 01

Moody Common Spaces - Retail

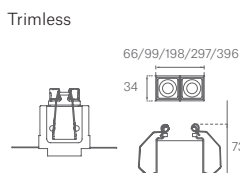
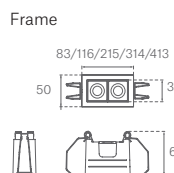


Models Round, Square, Mini, Asymmetrical, Adjustable, Pendular
LM LED (lm) 800-1700
Color Temp. 2700K-3000K-4000K
Power (W) 5-12

● Black 03 ○ White 03 ● Grey 01 ● Copper 01



Ocult Office - Common Spaces - Retail

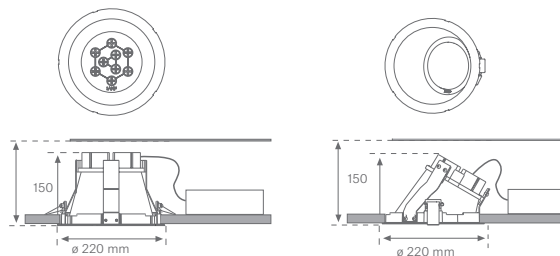


Models 2,3,6,9 o 12 módulos
LM LED (lm) 400-600-1200-1800-2400
Color Temp. 3000K-4000K
Power (W) 4-6-12-18-24

● Black 03 ○ White 03 ● Silver Metalized ● Copper Metalized



Domo 220 Transit - Retail



Models Domo 220
LM LED (lm) 2000-3000-4000
Color Temp. 3000K-4000K
Power (W) 23-32-40,9

○ White 02

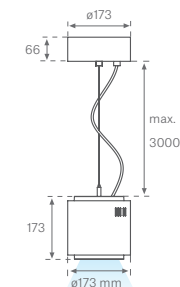


Stormbell 170 Transit



Models Stormbell, Stormbell Deco
LM LED (lm) 3000-5000
Color Temp. 3000-4000
Power (W) 26,3-47,4

○ White 04



Transport Solutions Transit

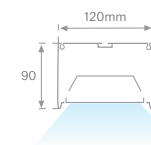


STGO

BCN

TLSE

Fil 120 Transit



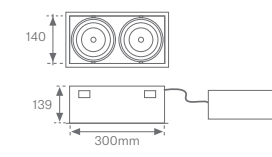
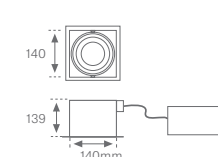
Models Opal
LM LED (lm) 6500
Length (mm) 1162-1740
Color Temp. 3000K-4000K
Power (W) 49,2-71,7

○ White 02 ● Grey 01



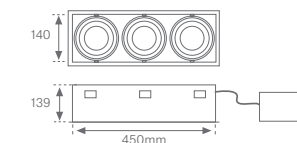
Opal

Puzzle Retail

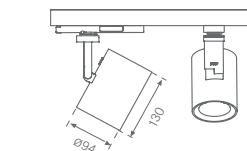


Models Individual, Doble, Triple
LM LED (lm) 1400-2500-3000-3500
Color Temp. 3000K-4000K
Power (W) 9,9-31,4 / 38,1-66,6 / 57-99,7

○ White 02 ● Black 02

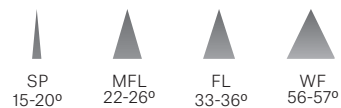


Imag Retail



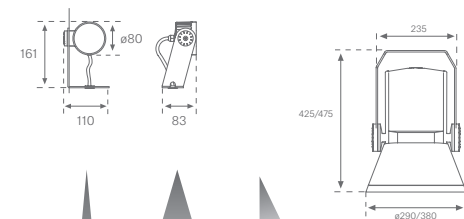
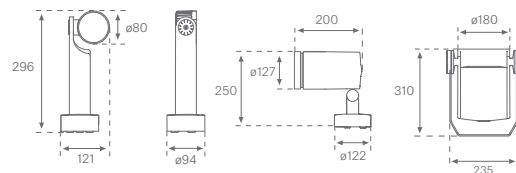
Models Track
LM LED (lm) 2000-3000-4000
Color Temp. 3000K-4000K
Power (W) 16-42,3

● Black 05 ○ White 05



OUTDOOR

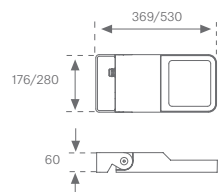
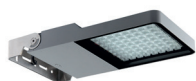
Shot Architectural Outdoor



Models 80, 120, 180, 290, 380
LM LED (lm) 900, 1500-3800, 5000-7000, 6500, 7000-10500
Color Temp. 2700K-3000K-4000K
Power (W) 6, 10-30, 37-56, 48, 45-73

● Grey 03 ● Antracita 01

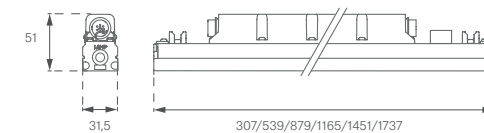
Flut Architectural Outdoor



Models 180, 280
LM LED (lm) 3000-5000, 9300-18700
Color Temp. 3000K-4000K
Power (W) 23-44, 54-117

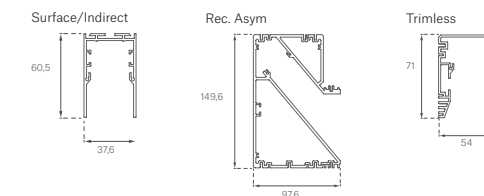
● Grey 03 ● Antracita 01

Duit Architectural Outdoor

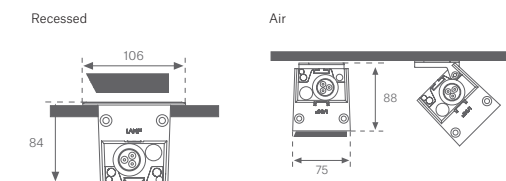


Models Engine, Light Engine,
LM LED (lm) 1000-2160
Color Temp. 2700K-3000K-4000K-TW-Amber
Power (W) 1,3-23,4

● Black 06



Bazz Architectural Outdoor

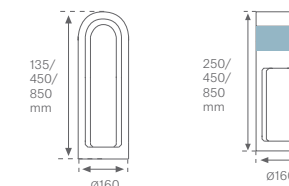


Models Sym-Asym, Opal, WallWasher,
 Sym-Asym Air, Opal Air, WallWasher Air
LM LED (lm) 1980-8100
Color Temp. 3000K-4000K
Power (W) 19-75, 37-75, 31-63

● Black 06



B-Side Architectural Outdoor



Models B-Side, B-Side 360°
LM LED (lm) 93-171, 1200-1500
Color Temp. 3000K-4000K
Power (W) 2-4,8/6-9

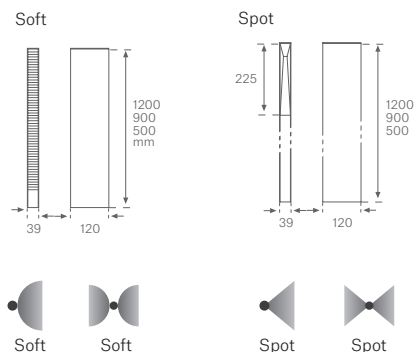
● Grey 03 ● Antracita 01



Seti Architectural Outdoor



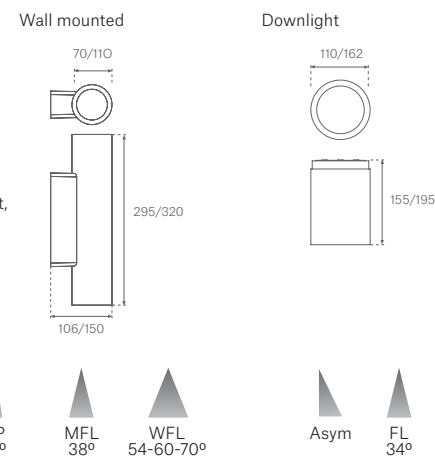
Models Soft, Spot
LM LED (lm) 200-1000
Color Temp. 3000K
Power (W) 3-9W
 ● Black 03 ● Antracita 01



Lup Architectural Outdoor



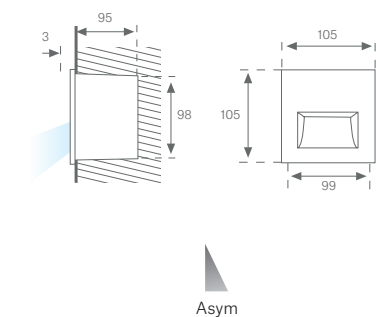
Models ø70 Wall mounted, ø110 Wall Mounted/Downlight, ø162 Downlight
LM LED (lm) 1000-3000, 1000-4000, 500-1000, 3000-4000
Color Temp. 3000K-4000K
Power (W) 9-12, 23-33, 5-8, 23-30
 ● Black 03



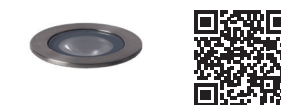
Urban Architectural Outdoor



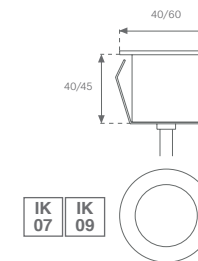
Models Square
LM LED (lm) 400
Color Temp. 2700K-3000K
Power (W) 1,7
 ● Grey 03



Xtrema Architectural Outdoor



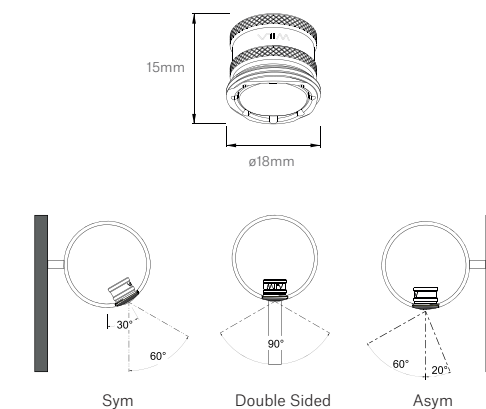
Models 40, 60
LM LED (lm) 100-300
Color Temp. 3000K-4000K
Power (W) 1-3
 ● Inox



Puck Architectural Outdoor



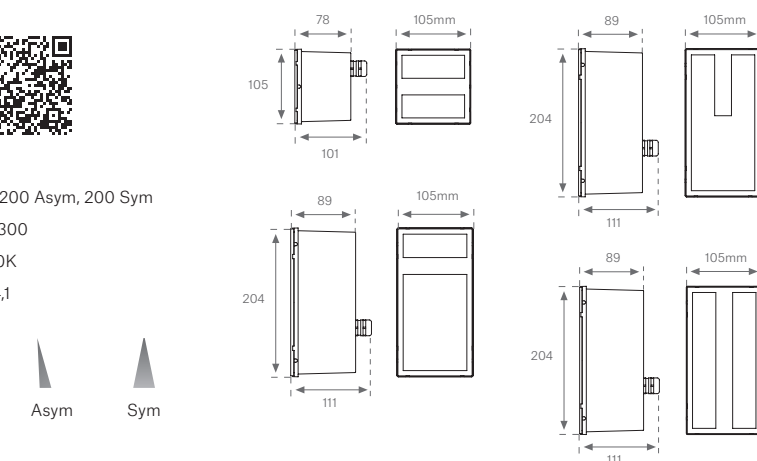
Models Sym (one-side), Double Sided, Asym
LM LED (lm) 169-177, 170-185, 159-169
Color Temp. 3000K-4000K
Power (W) 1,5
 ● Inox



Trace IP65 Architectural Outdoor



Models 100, 200 Asym, 200 Sym
LM LED (lm) 150-300
Color Temp. 3000K
Power (W) 2,7-4,1
 ● Black 07



**WE ARE
WORKTITUDE
FOR
LIGHT**



LAMP HEADQUARTERS
Córdoba 16, 08226
Terrassa Barcelona, SPAIN
Tel. +34 937 366 800
lamp@lamp.es

lamp.es

